

TEST REPORT NO. 9137

STONEAGE ROCK BOLLARD
WITH CLEAR GLASS LENS, METAL CONE REFLECTOR, AND ROCK TOP
ONE 35W 12V MR16 QUARTZ HALOGEN LAMP. LUMEN RATING = 583 LMS.

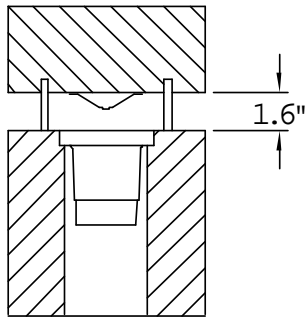
IESNA CUTOFF CLASSIFICATION: CUTOFF

REPORT PREPARED FOR:

CERTIFIED BY:

STONEAGE LIGHTING

DUNDAS, ONTARIO



DATE: APR 10, 2002

LABORATORY RESULTS MAY NOT BE REPRESENTATIVE OF FIELD PERFORMANCE.
BALLAST FACTORS HAVE NOT BEEN APPLIED.

TESTED IN 16 VERTICAL PLANES, ALL PLANES AVERAGED

VERTICAL TEST INCREMENTS ARE 2.5 DEGREES.

TEST DISTANCE EXCEEDS FIVE TIMES THE GREATEST
LUMINOUS OPENING OF LUMINAIRE.

TESTED IN ACCORDANCE WITH IES RECOMMENDED PROCEDURES

LIGHTING SCIENCES CANADA LTD.
440 PHILLIP ST., UNIT 19
WATERLOO, ONTARIO

TEST REPORT NO. 9137

STONEAGE ROCK BOLLARD
WITH CLEAR GLASS LENS, METAL CONE REFLECTOR, AND ROCK TOP
ONE 35W 12V MR16 QUARTZ HALOGEN LAMP. LUMEN RATING = 583 LMS.

UTILIZATION TABLE

CO-EFFICIENT OF UTILIZATION

RATIO	HOUSE SIDE	STREET SIDE	TOTAL
.5	.003	.003	.007
1.0	.007	.007	.014
1.5	.011	.011	.021
2.0	.015	.015	.030
2.5	.019	.019	.039
3.0	.024	.024	.048
3.5	.029	.029	.058
4.0	.032	.032	.063
5.0	.036	.036	.072
TOTAL:	.048	.048	.097

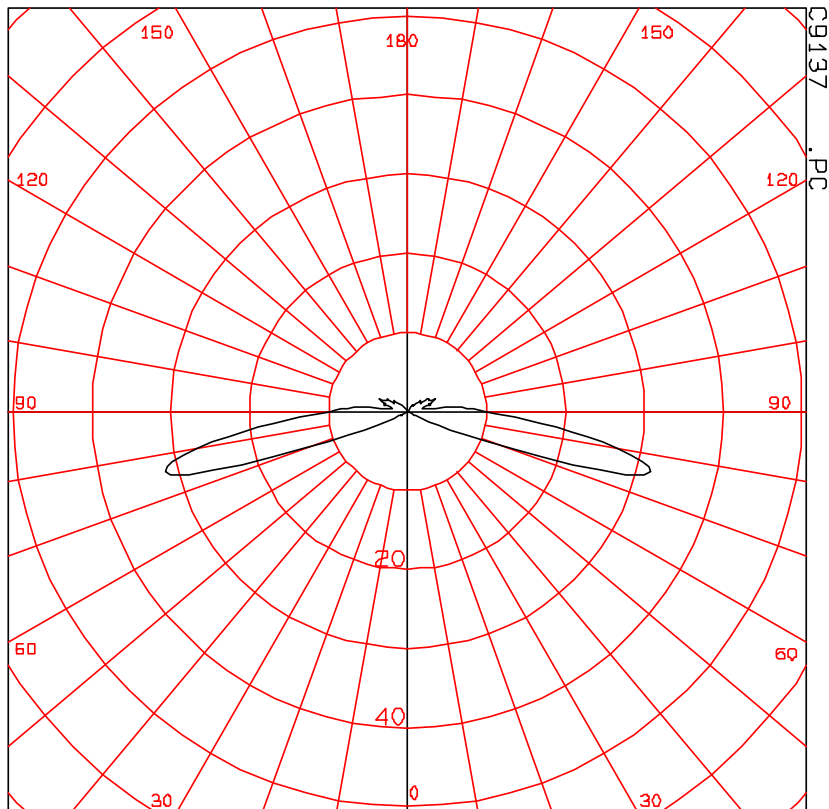
PERCENTAGE OUTPUTS

DOWNWARD:	STREET SIDE	=	4.8%
	HOUSE SIDE	=	4.8%
	TOTAL	=	9.7%
UPWARD:	STREET SIDE	=	1.6%
	HOUSE SIDE	=	1.6%
	TOTAL	=	3.1%
TOTAL EFFICIENCY		=	12.8%

LIGHTING SCIENCES CANADA LTD.
 440 PHILLIP ST., UNIT 19
 WATERLOO, ONTARIO

TEST REPORT NO. 9137

STONEAGE ROCK BOLLARD
 WITH CLEAR GLASS LENS, METAL CONE REFLECTOR, AND ROCK TOP
 ONE 35W 12V MR16 QUARTZ HALOGEN LAMP. LUMEN RATING = 583 LMS.



CANDLEPOWER IN MAX. PLANE	
ANGLE	CANDLEPOWER
.0	0
5.0	0
10.0	0
15.0	0
20.0	0
25.0	0
30.0	0
35.0	0
40.0	0
45.0	0
50.0	0
52.5	0
55.0	0
57.5	0
60.0	1
62.5	1
65.0	3
67.5	7
70.0	14
72.5	24
75.0	31
77.5	31
80.0	27
82.5	22
85.0	17
87.5	13
90.0	10
95.0	6
105.0	3
115.0	3
125.0	2
135.0	1
145.0	0
155.0	0
165.0	0
175.0	0
180.0	0

MAXIMUM CANDLEPOWER: 31
 VERT. ANGLE OF MAXIMUM 77.5
 ALL PLANES IDENTICAL

ISOFOOTCANDLE

TEST REPORT NO. 9137

STONEAGE ROCK BOLLARD
 WITH CLEAR GLASS LENS, METAL CONE REFLECTOR, AND ROCK TOP
 ONE 35W 12V MR16 QUARTZ HALOGEN LAMP. LUMEN RATING = 583 LMS.

MOUNTING HEIGHT FOR ISOFC 2.0 FEET

